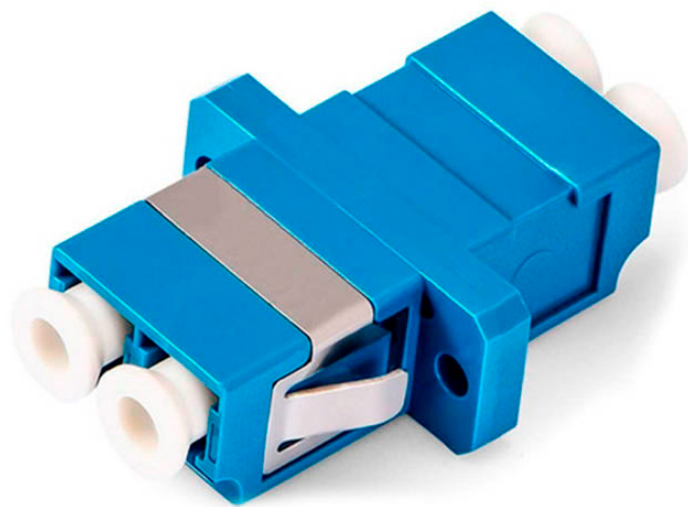


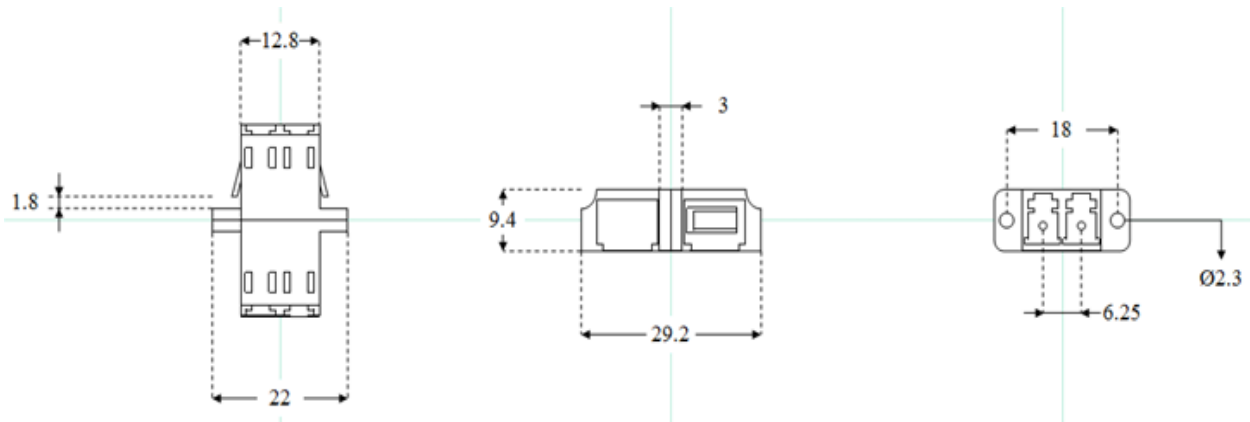
- LC Duplex Singlemode Adapter W-Flange Blue



Technical Parameter

Parameter	Unit	LC, SC, FC, MU, ST, SC-ST, FC-ST, FC-SC, FC-LC, FC-MU				MTRJ			E2000	
		SM			MM	SM		MM	SM	
Category		PC	UPC	APC	PC	PC	UPC	PC	PC	APC
Insertion Loss (Typical)	dB	≤0.3	≤0.2	≤0.3	≤0.2	≤0.3	≤0.2	≤0.2	≤0.3	≤0.3
Return Loss	dB	≥45	≥50	≥60	≥30	≥45	≥50	≥35	≥55	≥75
Exchange ability	dB	≤0.2			≤0.2			≤0.2		
Repeat ability	dB	≤0.2			≤0.2			≤0.2		
Durability	Time	>1000			>1000			>1000		
Operating Temperature	°C	-40~75			-40~75			-40~75		
Storage Temperature	°C	-45~85			-45~85			-45~85		

Product Size



Importante notice

Performance figures, data and any illustrative material provided in this data sheet are typical and must be specifically confirmed in writing by OPTOSTAR before they become applicable to any particular order or contract. In accordance with the OPTOSTAR policy of continuous improvement specifications may change without notice.

The publication of information in this data sheet does not imply freedom from patent or other protective rights of OPTOSTAR or others. Further details are available from any OPTOSTAR sales representative.

Overview

LC Duplex Blue Singlemode Adapter with flange. This mating sleeve is designed to connect two duplex LC fiber optic cables. Fits standard SC Simplex cutout for adapter plates, patch panels, and wall mounts.

Product Features

- Low insertion loss, high return loss
- Good compatibility
- High precision of mechanical dimensions
- High reliability & stability
- PC,APC,UPC optional
- Standard SC footprint cutout
- 2 mounting holes
- Plastic body provides a light weight yet durable solution
- Interchangeable for a wide range of products
- Integrated mounting clip allows for easy snap in installation

Application

- Fiber Optic Telecommunications
- FTTH (Fiber to the Home), CATV, CCTV
- Data Processing Networks
- Telecommunication Equipment
- LAN (Local Area Networks)